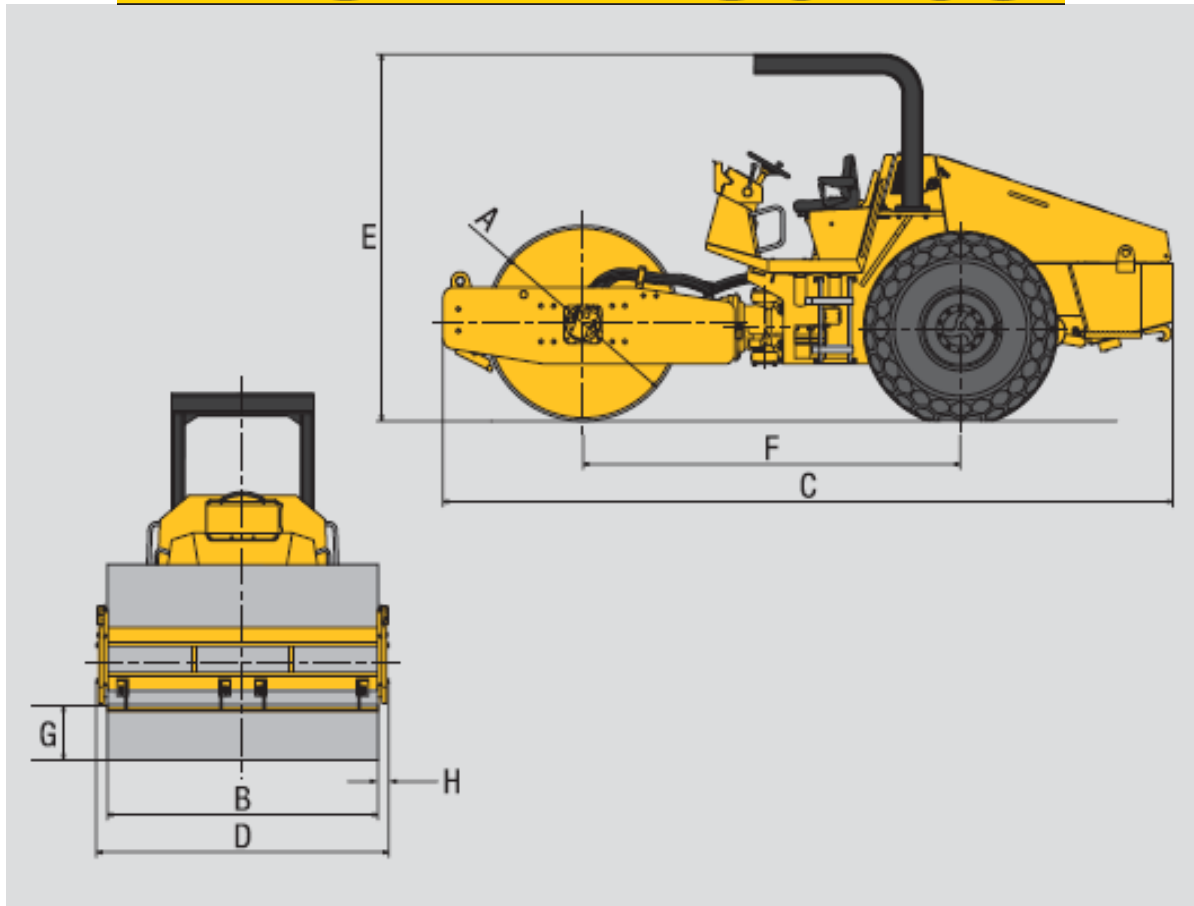




SAKAI

Vibratory Soil Compactors

SV505 Series



Model		
Type		
Operating Weight	lbs	kg
On front		
On rear		
Vibration Frequency	vpm	Hz
Lo Amp/Hi Amp		
Centrifugal Force	lbs	kN
Lo/Hi		
Total Applied Force	lbs	kN
Lo/Hi		
Amplitude	in	mm
Lo/Hi		
Engine – Model		
Engine Type		
Horsepower	hp	kW
	rpm	min ⁻¹
2 Speeds	mph	km/h
Gradability	%	
Fuel Tank Capacity	gal	L
Tire Size		
Braking		
Steering		
Dimensional Data	ins	mm
Drum Diameter (A)		
Drum Width (B)		
Overall Length (C)		
Overall Width (D)		
Overall Height (E)		
Wheelbase (F)		
Curb Clearance (G)		
Side Overhang (H)		
Outside Turning Radius	ins	mm
Options		

SV505D		SV505T	
Smooth		Padfoot	
23,525	10,670	24,320	11,030
12,700	5,760	13,470	6,110
10,825	4,910	10,850	4,920
2,200/1,650		37/28	
38,580/50,710	93/118	40,790/55,120	181/245
51,280/63,410	228/282	54,260/68,590	245/305
0.04/0.08		1.0/2.0	
Cummins B3.9-125C			
Water-cooled diesel			
125		93	
2,200		2,200	
0-3.7/0-6.2		0-6/0-10	
58			
66		250	
23.1-26-8 PR			
Hydrostatic, Wet Disc SAHR, Footbrake			
Articulated with heavy-duty hitch			
60	1,530	63	1,600
84	2,130	84	2,130
226	5,740	227	5,765
91	2,310	91	2,310
113	2,870	114	2,895
117	2,970	117	2,970
17.5	420	18.5	470
3.5	90	3.5	90
220.5		5,600	
Cab, Heater, Air Conditioning, Lights			